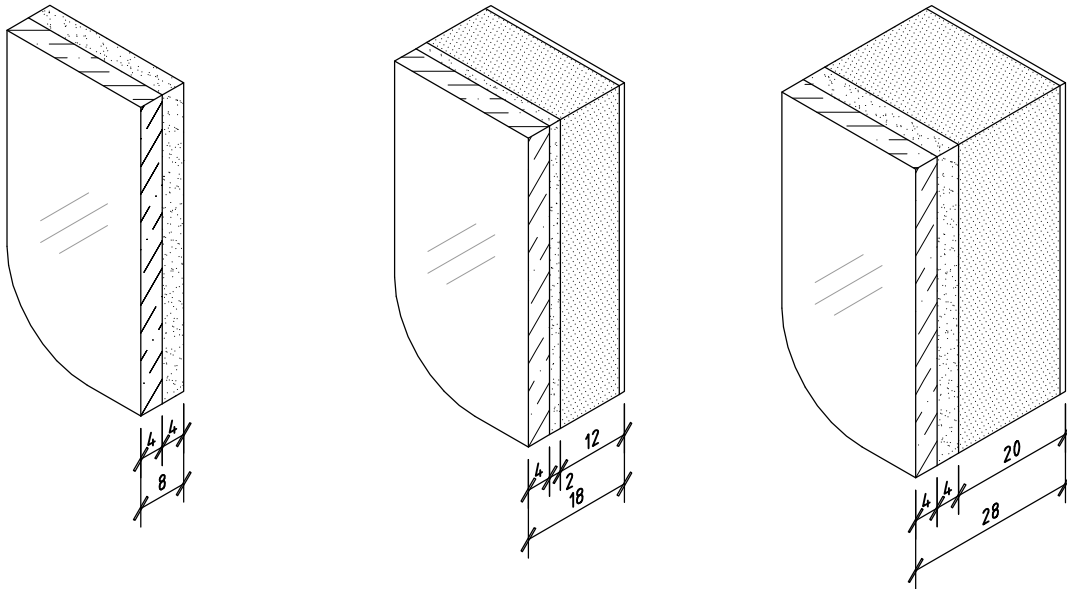



TYPICAL DETAIL: **DIAMOND MIRROR/DÉCOR GLASS**

Chelsea Artisans Ltd



	Diamond 8	Diamond 18	Diamond 28
Nominal Thickness	8 mm	18 mm	28 mm
Weight Kg/m ²	10	11	12
Max Panel Size	1200 x 3000mm	1150 x 3000mm	1150 x 3000mm
Independently tested to	BS 476 part 7 surface spread of flame: Class 1 BS 476 part 6 fire propagation: Index 1 BS 6206 Specification for impact performance: Class A Explosion Testing: No evidence of disintegration after being subjected to measured explosive blast pressure		

Date: 27/11/06	Detail: Product Data	Detail No: G 02
--------------------------	--------------------------------	---------------------------

	Unit C2, Sandown Industrial Park, Mill Road, Esher, Surrey. KT10 8BL Tel: +44(0)1372 469301 Fax: +44(0)1372 470590	Email: info@chelsea-artisans.co.uk www.chelsea-artisans.co.uk
---	---	---